

**Knollan**   
The ultimate mechanical lock



*Security in Motion*

# About Knollan

- Privately owned company
- Established as an independent company in 1997
- Developing and manufacturing a best of breed mechanical Locks
- Owner of Patent # 7618803 which is registered in 19 countries

# Mission Statement

To become an industry leader in combination locks based on development of new products using Knollan's revolutionary technology


## Market Driver

- People prefer not to carry keys
- Locks become more and more popular in the daily bases activities
- Key based locks are more easy to brake without evidence
- Combination locks become more popular.
- People looks for simplicity and easy to use locks

# Knollan's Technology

- World's first combination locks technology which based on up/down/left/right directional movements
- Patented technology make it faster, easier and more secure than a standard combination lock
- Maximum security with anti-shim technology
- Combination can be set to any number of movements in any sequence

# Knollan's IP

- Knollan owns a patent # 6718803
- The Patent registered in 19 countries
  - USA, Canada, UK, Germany, France, Italy, Spain, Portugal, Australia, New Zealand, China, Brazil, Mexico, Holland, Turkey, Russia, Korea, Japan, India
- Issue in 2004
- A patent pending for Cable Lock has been filed in 2011
- Knollan's also registered few Trade Marks such as: Knollan, SALY and 

# Knollan's IP

Complexity and “strong”  
patent make this  
technology Hard to copy

U.S. Patent

Apr. 13, 2004

Sheet 2 of 19

US 6,718,803 B2

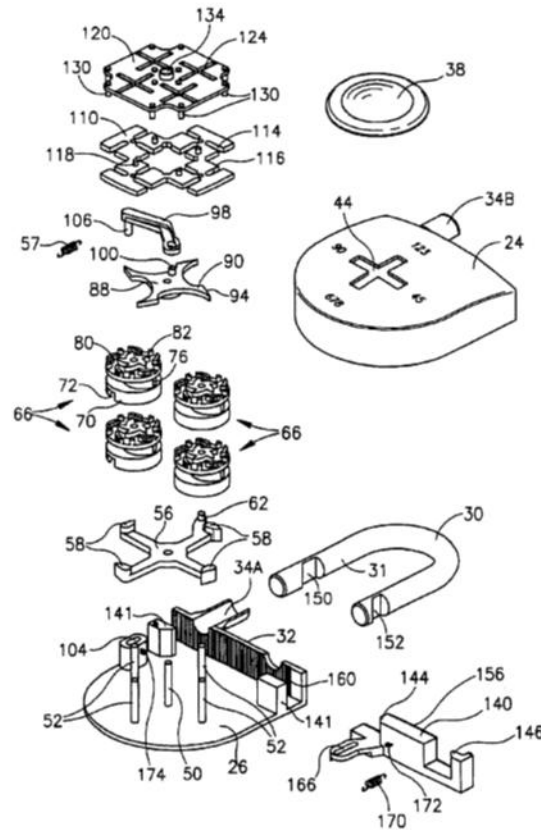


FIG. 2

# Colors





# Promotional Displays



## Company's Achievement

- Cooperation with Master Lock
- Recruitment of about 25 distributors worldwide (excludes USA), out of over 80 contacts worldwide
- Manufacturing in China and Israel
- Preparation of marketing infrastructure like website, brochures, displays etc.

# New products development

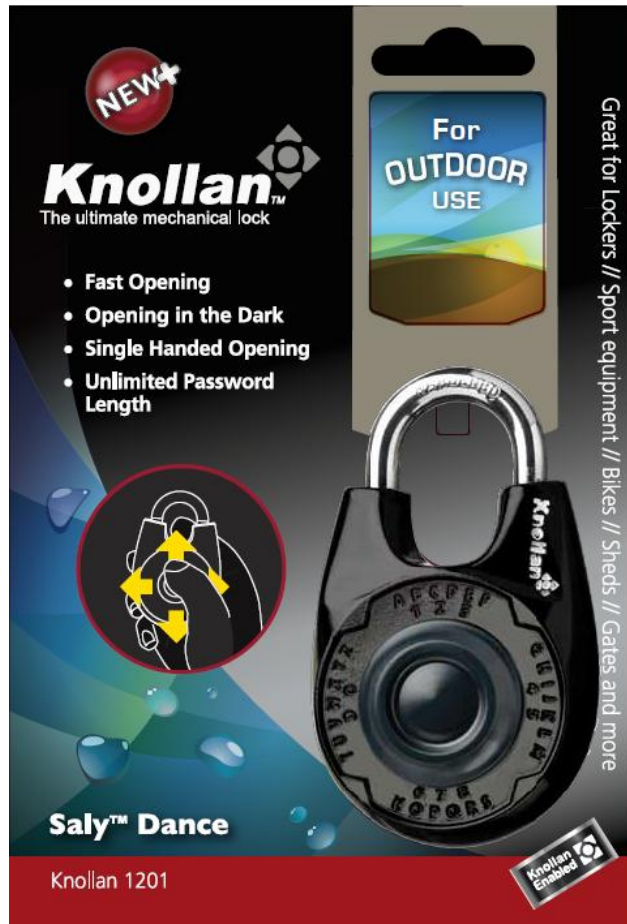
## *SALY™ Wheel*

- Outdoor padlock based on SALY™ Dance
- New cable lock for bicycle



# New Packaging

Illustration – Already modeled. in Production



**New design – In Production**  
Supplied with Electroplating  
Finishing for better  
withstanding Outdoor  
Conditions. It supplied with  
Colors as well

# New design – already in production



# New products development

- Small Traveler bag locks
- Build-In lock for suitcase



# Outdoor Locks for Different Shackle lengths

Prepared for Production with Plastic Bumper



# New products development

- High Security locks for defense purposes
- Door Hardware





# Master Lock's Agreement

- Technology Transfer agreement with Master Lock signed in 2005
- Master Lock designed, manufacturing and distributing their own locks under the Trade Mark “Speed Dial” in US and “One” in Europe



Speed Dial



ONE



# For more information

Ilan Shaya

[ilan@knollan.com](mailto:ilan@knollan.com)

[www.knollan.com](http://www.knollan.com)